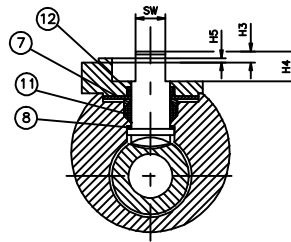
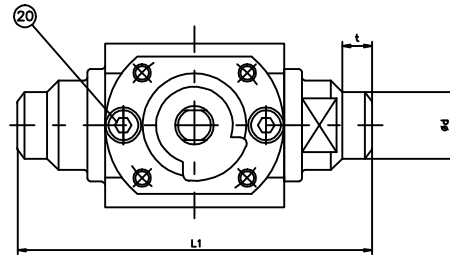
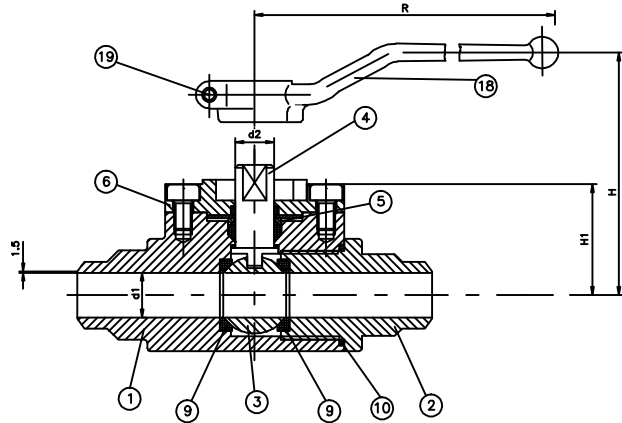
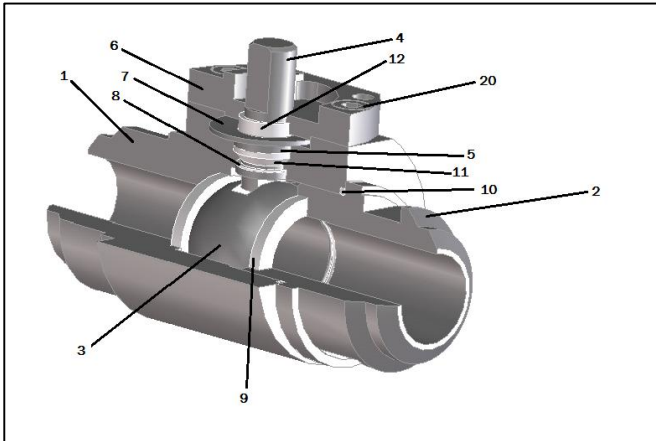




FLUID HANDLING
TECHNOLOGY S.A.

TYPE 131/115 BW
DN-15/50 CL-600



POS	COMPONENTS	MATERIAL
1	Body	1.4404
2	B.end	1.4404
3	Ball	1.4404
4	Stem	1.4404
5	Gland follower	1.4404
6	Cover	1.4301
7	Spring plate	1.4568
8	Stem seal	RPTFE
9	Seat ring	RPTFE
10	Body seal	RPTFE
11	Packing	RPTFE
12	Cover seal	RPTFE
18	Handle	1.0460+ZINC
19	Handle screw	8.8+ZINC
20	Cover screw	A2-70

DIMENSIONS

DN	d1	L1	H	R	H1	d2	SW	H3	H4	H5	ISO	t	d
1/2"	15	130.5	74	180	37	13	10	5	10	2	F5	8	22
3/4"	20	137	78	180	40	13	10	13	18	2	F5	8	28
1"	25	143	82	180	43.5	13	10	13	18	2	F5	8	35
1 1/2"	38	182	109	300	69.5	17	12	17.5	22.5	3	F7	11	50
2"	50	202	121	300	78	17	12	17.5	22.5	3	F7	11	62

- Other materials and special alloys upon request.
- Seat ring materials depending on fluid and differential pressure.

Main features

- BIDIRECTIONAL.
- SPLIT BODY.
- FULL BORE.
- FLOATING BALL.
- SOFT SEAT.
- ANTI BLOW OUT STEM.
- ANTI STATIC DEVICE.

Standards

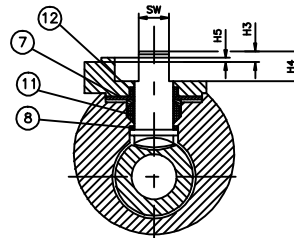
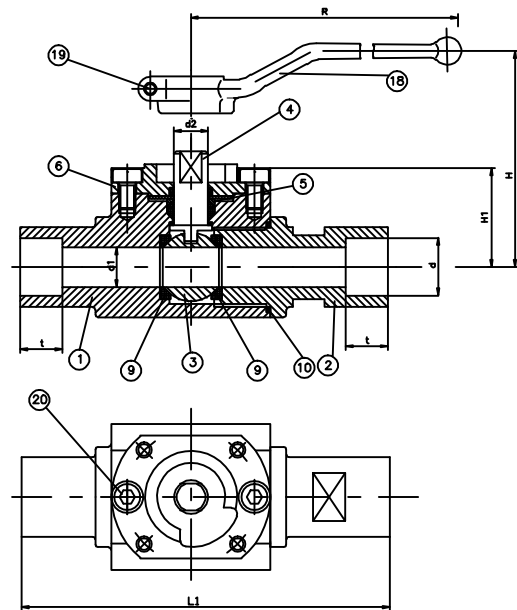
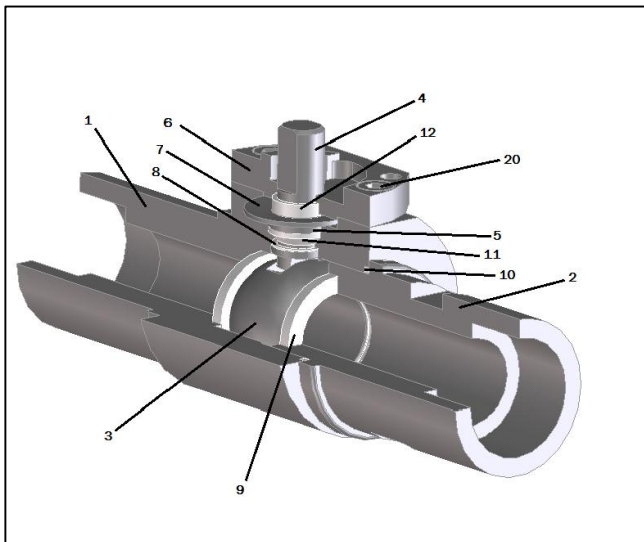
- TOP FLANGE ISO 5211
- FACE TO FACE ACCORDING TO DATA SHEET
- CONNECTIONS UNE-EN 12627

Official approvals

- ISO 9001:2008
- ISO 15848-1
- API 6D
- PED 2014/68/EU
- AD 2000 Merkblatt W0
- FIRE SAFE CERTIFICATE
- TA-LUFT/VDI 2440
- ATEX 94/9/EC
- IEC EN 61508:2010 (SIL 3)



fht@fht-intec.com
Tel: +34 944 980 513
Fax: +34 944 980 167



POS	COMPONENTS	MATERIAL
1	Body	1.4404
2	B.end	1.4404
3	Ball	1.4404
4	Stem	1.4404
5	Gland follower	1.4404
6	Cover	1.4301
7	Spring plate	1.4568
8	Stem seal	RPTFE
9	Seat ring	RPTFE
10	Body seal	RPTFE
11	Packing	RPTFE
12	Cover seal	RPTFE
18	Handle	1.0460+ZINC
19	Handle screw	8.8+ZINC
20	Cover screw	A2-70

DIMENSIONS

DN	d1	L1	H	R	H1	d2	SW	H3	H4	H5	ISO	t	d
1/2"	15	130.5	74	180	37	13	10	5	10	2	F5	16	21.8
3/4"	20	137	78	180	40	13	10	13	18	2	F5	18	27.2
1"	25	143	82	180	43.5	13	10	13	18	2	F5	20	34
1 1/2"	38	182	109	300	69.5	17	12	17.5	22.5	3	F7	24	48.9
2"	50	202	121	300	78	17	12	17.5	22.5	3	F7	26	61.2

- Other materials and special alloys upon request.
- Seat ring materials depending on fluid and differential pressure.

Main features

- BIDIRECTIONAL.
- SPLIT BODY.
- FULL BORE.
- FLOATING BALL.
- SOFT SEAT.
- ANTI BLOW OUT STEM.
- ANTI STATIC DEVICE.

Standards

- TOP FLANGE ISO 5211
- FACE TO FACE ACCORDING TO DATA SHEET
- CONNECTIONS UNE-EN 12760

Official approvals

- ISO 9001:2008
- ISO 15848-1
- API 6D
- PED 2014/68/EU
- AD 2000 Merkblatt W0
- FIRE SAFE CERTIFICATE
- TA-LUFT/VDI 2440
- ATEX 94/9/EC
- IEC EN 61508:2010 (SIL 3)