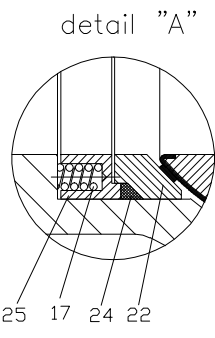
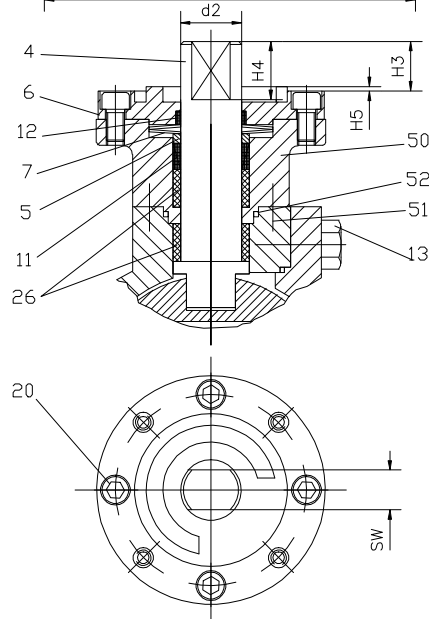
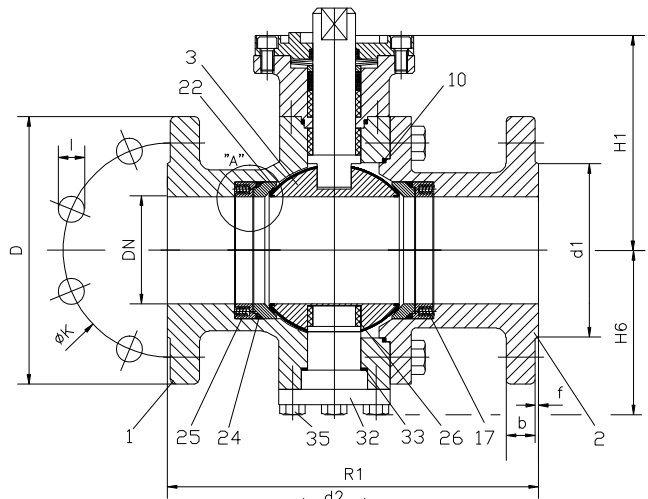
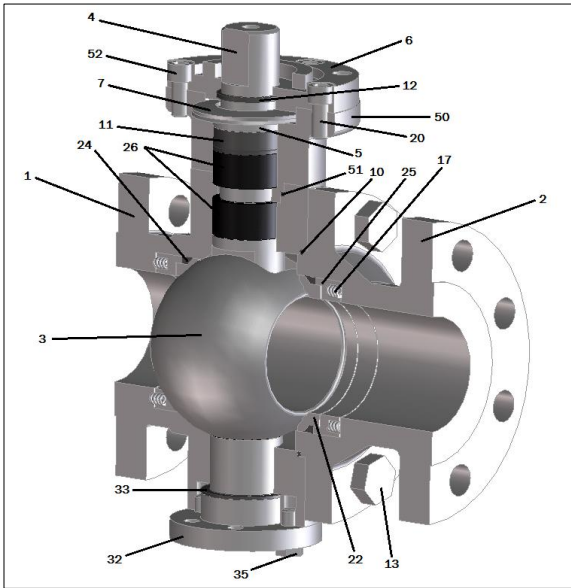




FLUID HANDLING  
TECHNOLOGY S.A.

TYPE 116G/114G  
DN-50/100 PN-40 R1



| Pos. | DESIGNATION      | MATERIAL        |
|------|------------------|-----------------|
| 1    | Body             | 1.4408/1.4404   |
| 2    | Body end         | 1.4408/1.4404   |
| 3    | Ball             | 1.4408+CHR.CAR. |
| 4    | Stem             | 1.4404          |
| 5    | Gland follower   | 1.4404          |
| 6    | Cover            | 1.4301          |
| 7    | Spring plate     | 1.4568          |
| 10   | Body Seal        | GRAPHITE        |
| 11   | Packing          | GRAPHITE        |
| 12   | Cover seal       | PTFE+GRAPHITE   |
| 13   | Screw            | A2-70           |
| 17   | Spring           | 1.4401          |
| 20   | Cover screw      | A2-70           |
| 22   | Metal seat       | 1.4408+COL.     |
| 24   | Seat seal        | GRAPHITE        |
| 25   | Guide ring       | 1.4404          |
| 26   | Bearing          | GRAPHITE        |
| 32   | Trunnion         | 1.4404          |
| 33   | Trunnion seal    | GRAPHITE        |
| 35   | Trunnion screw   | A2-70           |
| 50   | Upper body       | 1.4404          |
| 51   | Upper body screw | A2-70           |
| 52   | Upper body seal  | GRAPHITE        |

**DIMENSIONS**

| DN  | PN | R1  | D   | d1xf  | b  | z x l | K   | H6    | H1    | d2 | SW | H3 | H4 | H5  | ISO | Kg |
|-----|----|-----|-----|-------|----|-------|-----|-------|-------|----|----|----|----|-----|-----|----|
| 50  | 40 | 230 | 165 | 102x3 | 20 | 4x18  | 125 | 96    | 131.5 | 27 | 18 | 25 | 27 | 3.5 | F10 | 28 |
| 65  |    | 290 | 185 | 112x3 | 22 | 8x18  | 145 | 103.5 | 142   |    |    |    |    |     |     | 36 |
| 80  |    | 310 | 200 | 138x3 | 24 | 8x18  | 160 | 141   | 188.5 | 40 | 32 | 34 | 38 | 3   | F12 | 58 |
| 100 |    | 350 | 235 | 162x3 | 24 | 8x22  | 190 | 151   | 200.5 |    |    |    |    |     |     | 75 |

- Other materials and special alloys upon request.
- Seat ring materials depending on fluid and differential pressure.
- Ancillary equipment such as stem extensions, actuators, etc., can be field mounted at any time.
- Constant torque with temperature fluctuations.
- Trunnion mounted ball resulting in low torque for easy operation at high pressures.

**Main features**

- TWO WAY/FULL BORE.
- BIDIRECTIONAL.
- SPLIT BODY.
- TRUNNION MOUNTED.
- SOFT SEATED.
- SEAT RINGS SPRING LOADED.
- ANTI BLOW OUT STEM.
- ANTI STATIC DEVICE.
- AUTOMATIC PRESSURE CAVITY RELIEF.
- DOUBLE SELF ADJUSTING PACKING.

**Standards**

- TOP FLANGE ISO 5211
- FACE TO FACE EN 558-1
- FLANGES EN 1092-1
- FACE TO FACE ANSI B16.10
- FLANGES ANSI B16.5

**Official approvals**

- ISO 9001:2008
- ISO 15848-1
- API 6D
- PED 2014/68/EU
- AD 2000 Merkblatt W0
- FIRE SAFE CERTIFICATE
- TA-LUFT/VDI 2440
- ATEX 94/9/EC
- IEC EN 61508:2010 (SIL 3)



fht@fht-intec.com  
Telf: +34 944 980 513  
Fax: +34 944 980 167