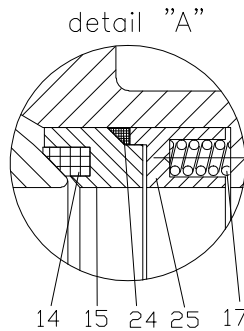
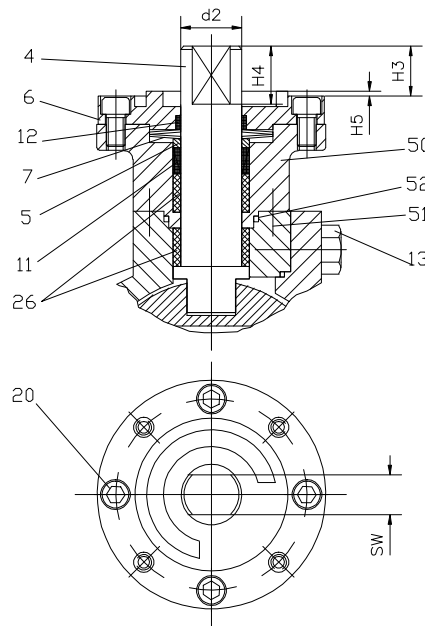
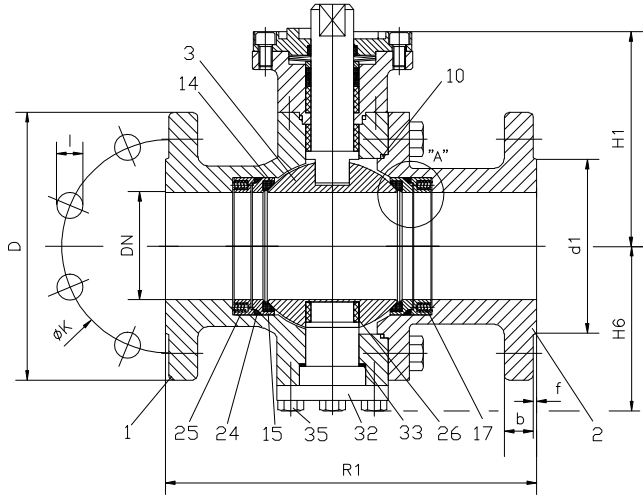
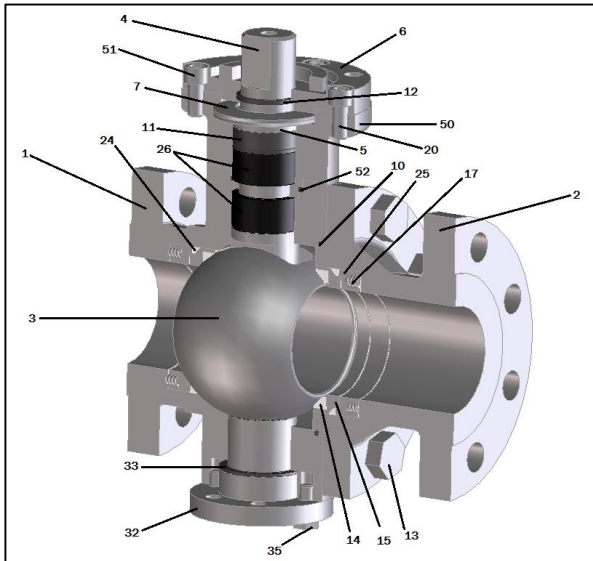




FLUID HANDLING
TECHNOLOGY S.A.

TYPE 115G/113G
DN-50/100 PN-40 R1



Pos.	DESIGNATION	MATERIAL
1	Body	1.4408/1.4404
2	Body end	1.4408/1.4404
3	Ball	1.4408/1.4404
4	Stem	1.4404
5	Gland follower	1.4404
6	Cover	1.4301
7	Spring plate	1.4568
10	Body Seal	Graphite
11	Packing	Graphite
12	Cover seal	RPTFE
13	Screw	A2-70
14	Seat ring	RPTFE
15	Pressure ring	1.4404
17	Spring	1.4401
20	Cover screw	A2-70
24	Seat seal	RPTFE
25	Guide ring	1.4404
26	Bearing	Graphite
32	Trunnion	1.4404
33	Trunnion seal	Graphite
35	Trunnion screw	A2-70
50	Upper body	1.4404
51	Upper body screw	A2-70
52	Upper body seal	Graphite

DIMENSIONS

DN	PN	R1	D	d1xf	b	z x l	K	H6	H1	d2	SW	H3	H4	H5	ISO	Kg
50	40	230	165	102x3	20	4x18	125	96	131.5	27	18	25	27	3.5	F10	28
65		290	185	112x3	22	8x18	145	103.5	142							36
80		310	200	138x3	24	8x18	160	141	188.5	40	32	34	38	3	F12	58
100		350	235	162x3	24	8x22	190	151	200.5							75

- Other materials and special alloys upon request.
- Seat ring materials depending on fluid and differential pressure.
- Ancillary equipment such as stem extensions, actuators, etc., can be field mounted at any time.
- Constant torque with temperature fluctuations.
- Trunnion mounted ball resulting in low torque for easy operation at high pressures.

Main features

- TWO WAY/FULL BORE.
- BIDIRECTIONAL.
- SPLIT BODY.
- TRUNNION MOUNTED.
- SOFT SEATED.
- SEAT RINGS SPRING LOADED.
- ANTI BLOW OUT STEM.
- ANTI STATIC DEVICE.
- AUTOMATIC PRESSURE CAVITY RELIEF.
- DOUBLE SELF ADJUSTING PACKING.

Standards

- TOP FLANGE ISO 5211
- FACE TO FACE EN 558-1
- FLANGES EN 1092-1
- FACE TO FACE ANSI B16.10
- FLANGES ANSI B16.5

Official approvals

- ISO 9001:2008
- ISO 15848-1
- API 6D
- PED 2014/68/EU
- AD 2000 Merkblatt WD
- FIRE SAFE CERTIFICATE
- TA-LUFT/VDI 2440
- ATEX 94/9/EC
- IEC EN 61508:2010 (SIL 3)



fht@fht-intec.com
Telf: +34 944 980 513
Fax: +34 944 980 167