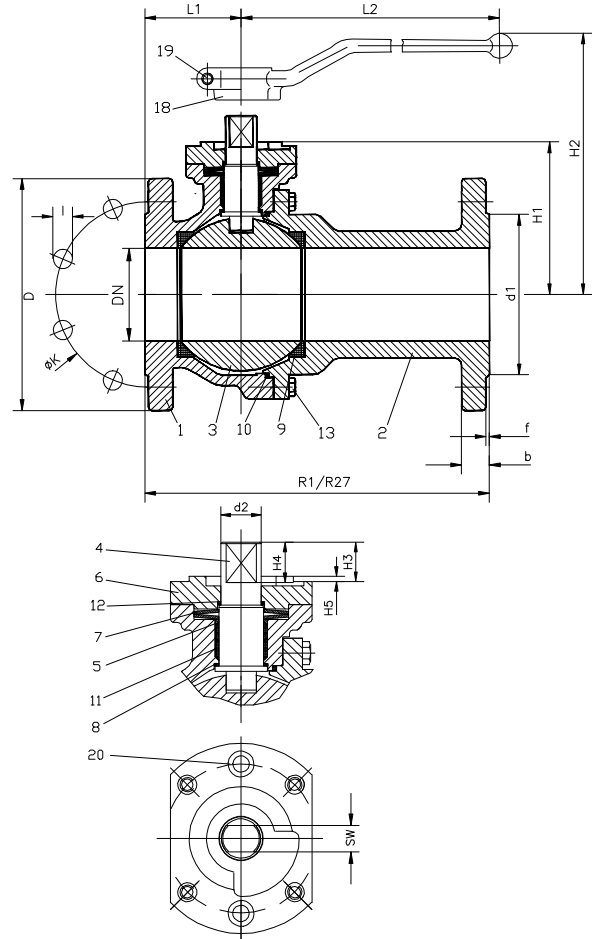
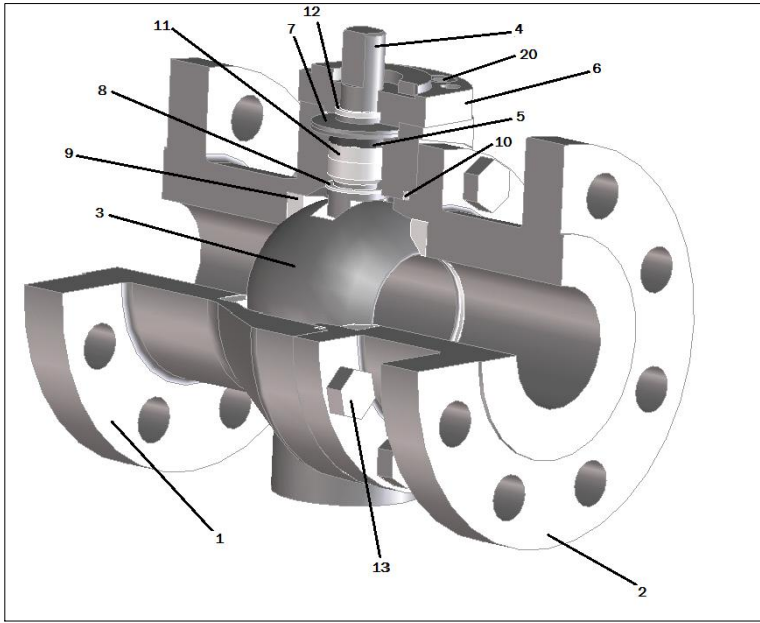




FLUID HANDLING
TECHNOLOGY S.A.

TYPE 115
DN-15/100 PN-16/40 R1/R27



| POS | COMPONENTS | MATERIAL |
|-----|----------------|---------------|
| 1 | Body | 1.4408 |
| 2 | Body End | 1.4408/1.4404 |
| 3 | Ball | 1.4408/1.4404 |
| 4 | Stem | 1.4404 |
| 5 | Gland follower | 1.4404 |
| 6 | Cover | 1.4301 |
| 7 | Spring plate | 1.4568 |
| 8 | Stem seal | RPTFE |
| 9 | Seat | RPTFE |
| 10 | Body seal | RPTFE |
| 11 | Packing | RPTFE |
| 12 | Cover seal | RPTFE |
| 13 | Screw | A2-70 |
| 18 | Handle | 1.0619+ZINC |
| 19 | Handle screw | 8.8+ZINC |
| 20 | Cover screw | A2-70 |

DIMENSIONS

| DN | PN | R27 | R1 | D | d1xf | b PN16/PN40 | z x l | K | H1 | H2 | L2 | d2 | SW | H3 | H4 | H5 | ISO |
|-----|----|-----|-----|-----|-------|----------------|-------|-----|-----|-----|-----|----|----|------|----|-----|-----|
| 15 | 40 | 115 | 130 | 95 | 45x2 | 14/16 | 4x14 | 65 | 55 | 105 | 180 | 13 | 10 | 17 | 18 | 3.5 | F05 |
| 20 | | 120 | 150 | 105 | 58x2 | 16/18 | 4x14 | 75 | 58 | 108 | | | | | | | |
| 25 | | 125 | 160 | 115 | 68x2 | | 4x14 | 85 | 62 | 112 | 180 | 13 | 10 | 17 | 18 | | |
| 32 | | 130 | 180 | 140 | 78x2 | | 4x14 | 100 | 68 | 118 | | | | | | | |
| 40 | | 140 | 200 | 150 | 88x3 | | 4x18 | 110 | 82 | 137 | 300 | 17 | 12 | 21.5 | 22 | 3.5 | F07 |
| 50 | | 150 | 230 | 165 | 102x3 | 18/20 | 4x18 | 125 | 88 | 143 | | | | | | | |
| 65 | 16 | 170 | 290 | 185 | 122x3 | 18 | 4x18 | 145 | 98 | 153 | | | | | | | |
| 65 | 40 | | | | | 22 | 8x18 | | | | | | | | | | |
| 80 | 16 | 180 | 310 | 200 | 138x3 | 20 | 8x18 | 160 | 125 | 155 | 450 | 27 | 18 | 25 | 27 | 3.5 | F10 |
| 80 | 40 | | | | | 24 | | | | | | | | | | | |
| 100 | 16 | 190 | 350 | 220 | 158x3 | 20 | 8x18 | 180 | 140 | 170 | | | | | | | |
| 100 | 40 | | | 235 | 162x3 | 24 | 8x22 | | | | | | | | | | |

- Other materials and special alloys upon request.
- Seat ring materials depending on fluid and differential pressure.

Main features

- BIDIRECTIONAL.
- SPLIT BODY.
- FULL BORE.
- FLOATING BALL.
- SOFT SEAT.
- ANTI BLOW OUT STEM.
- ANTI STATIC DEVICE.

Standards

- TOP FLANGE ISO 5211
- FACE TO FACE EN 558-1
- FLANGES EN 1092-1
- FACE TO FACE ANSI B16.10
- FLANGES ANSI B16.5

Official approvals

- ISO 9001:2008
- ISO 15848-1
- API 6D
- PED 2014/68/EU
- AD 2000 Merkblatt W0
- FIRE SAFE CERTIFICATE
- TA-LUFT/VDI 2440
- ATEX 94/9/EC
- IEC EN 61508:2010 (SIL 3)



fht@fht-intec.com
Tel: +34 944 980 513
Fax: +34 944 980 167