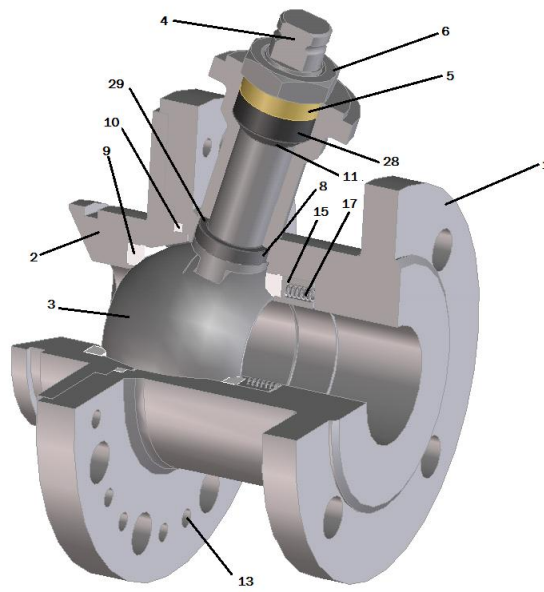


| POS | COMPONENTS | MATERIAL |
|-----|-----------------|---------------|
| 1 | Body | 1.4408 |
| 2 | Body End | 1.4408/1.4404 |
| 3 | Ball | 1.4408/1.4404 |
| 4 | Stem | 1.4404 |
| 5 | Gland follower | PEEK |
| 6 | Nut | A2-70 |
| 8 | Stem seal | RPTFE |
| 9 | Seat | RPTFE |
| 10 | Body seal | RPTFE |
| 11 | Packing | RPTFE |
| 13 | Screw | A2-70 |
| 15 | Pressure ring | 1.4404 |
| 17 | Spring | 1.4401 |
| 28 | Inner packing | GRAPHITE |
| 29 | Inner stem seal | GRAPHITE |



DIMENSIONS

| DN | Flange to Tank | PN | L | D | d1xf | b | z x l | K | N | G1 | F1 | E1 | z1x11 | H1 | d2 | SW | H3 | H4 | H5 | ISO | |
|-----|----------------|----|------|-----|-------|----|-------|-----|----|-----|-----|-----|-------|-------|----|----|------|----|----|-----|-----|
| 25 | 50 | 16 | 120* | 115 | 68x2 | 18 | 4x14 | 85 | 35 | 69 | 125 | 165 | 4x18 | 118.5 | 18 | 14 | 26.5 | 14 | 2 | F05 | |
| 50 | 80 | | 149 | 165 | 102x3 | 18 | 4x18 | 125 | 35 | 94 | 160 | 200 | 8x18 | 118.5 | 22 | 17 | 32.5 | 17 | 3 | F07 | |
| 80 | 100 | | 162 | 200 | 138x3 | 20 | 8x18 | 160 | 35 | 129 | 180 | 220 | 8x18 | 144.5 | 26 | 19 | 37.5 | 19 | | F10 | |
| 100 | 150 | | 180 | 220 | 158x3 | 20 | 8x18 | 180 | 40 | 179 | 240 | 285 | 8x22 | 174 | | | | | | | |
| 150 | 200 | | 240* | 285 | 212x3 | 22 | 8x22 | 240 | 40 | 233 | 295 | 340 | 12x22 | 206 | 33 | 24 | 42.5 | 24 | | | F12 |
| 150 | 250 | | 240* | 285 | 212x3 | 22 | 8x22 | 240 | 50 | 278 | 355 | 405 | 12x26 | | | | | | | | |

* Face to face no Standard

- Other materials and special alloys upon request.
- Seat ring materials depending on fluid and differential pressure.
- Ancillary equipment such as stem extensions, actuators, etc., can be field mounted at any time.

Main features

- BIDIRECTIONAL.
- SPLIT BODY.
- FULL BORE.
- FLOATING BALL.
- SOFT SEAT.
- ANTI BLOW OUT STEM.
- ANTI STATIC DEVICE.

Standards

- TOP FLANGE ISO 5211
- FACE TO FACE EN 558, GR.13
- FLANGES EN 1092-1
- FLANGES ANSI B16.5
- TANK CONNECTION ACC. DIN 28140-1

Official approvals

- ISO 9001:2008
- ISO 15848-1
- API 6D
- PED 2014/68/EU
- AD 2000 Merkblatt W0
- FIRE SAFE CERTIFICATE
- TA-LUFT/VDI 2440
- ATEX 94/9/EC
- IEC EN 61508:2010 (SIL 3)