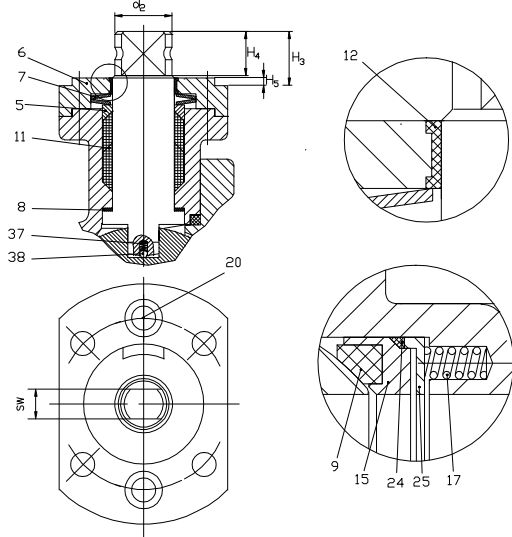
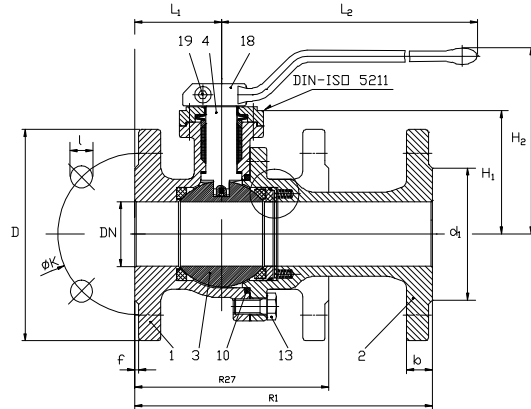
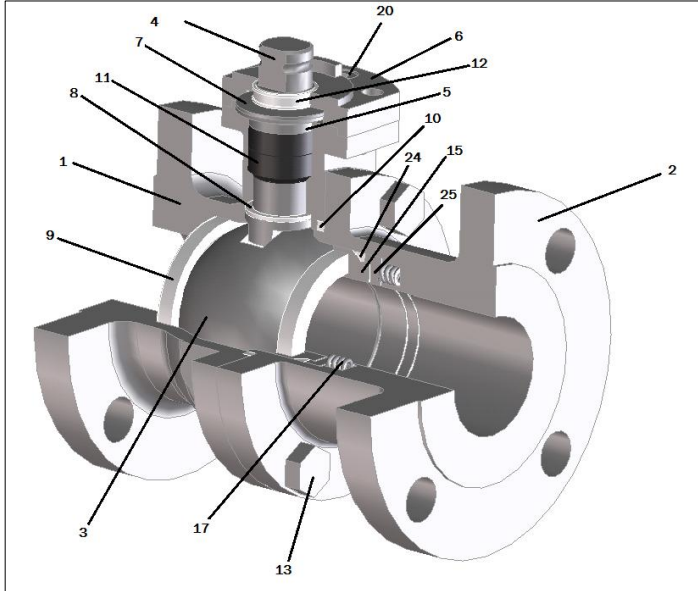




FLUID HANDLING  
TECHNOLOGY S.A.

TYPE 113GL/125GL  
DN-15/100 PN-16/40 R1/R27



POS.	COMPONENTS	MATERIAL
1	Body	1.4408
2	B.end	1.4408/1.4404
3	Ball	1.4408/1.4404
4	Stem	1.4404
5	P.ring	1.4404
6	Cover	1.4301
7	Spring plate	1.4568
8	Stem seal	RPTFE
9	Seat ring	RPTFE
10	Body seal	RPTFE
11	Packing	RPTFE
12	Cover seal	RPTFE
13	Screw	A2-70
15	Pressure ring	1.4404
17	Spring	1.4401
18	Handle	1.0460+ZINC
19	Handle screw	8.8+ZINC
20	Cover screw	A2-70
24	Seat seal	RPTFE
25	Guide ring	1.4404
37	Stem spring	1.4404
38	Stem ball	1.4404

**DIMENSIONS**

		PN16/PN40																		
DN	PN	R27	R1	D	d1xf	b	z	x	l	K	L1	H1	H2	L2	d2	SW	H3	H4	H5	ISO
15	16/40	115	130	95	45x2	14/16	4	14	65	52.5	48	95	160	14	11	14	11	2		F05
20	16/40	120	150	105	58x2	16/18	4	14	75	56	50.5	101								
25		125	160	115	68x2		4	14	85	58	59	115	180	18	14	17	14			
32		130	180	140	78x2		4	18	100	62	64.5	125								
40		140	200	150	88x3		4	18	110	64.5	87	135	282	22	17	21.5	17	3		F07
50		150	230	165	102x3	18/20	4	18	125	67	94.5	145								
65	16	170	290	185	122x3	18	4	18	145	78	107	157								
65	40					22	8	18												
80	16	180	310	200	138x3	20	8	18	160	81.5	106.5	197	450	26	19	23.5	19			F10
80	40					24														
100	16	190	350	220	158x3	20	8	18	180	87	134.5	212								
100	40			235	162x3	24	8	22	190											

- Other materials and special alloys upon request.
- Seat ring materials depending on fluid and differential pressure.

**Main features**

- BIDIRECTIONAL.
- SPLIT BODY.
- FULL BORE.
- FLOATING BALL.
- SOFT SEAT.
- ANTI BLOW OUT STEM.
- ANTI STATIC DEVICE.

**Standards**

- TOP FLANGE ISO 5211
- FACE TO FACE EN 558-1
- FLANGES EN 1092-1
- FACE TO FACE ANSI B16.10
- FLANGES ANSI B16.5

**Official approvals**

- ISO 9001:2008
- ISO 15848-1
- API 6D
- PED 2014/68/EU
- AD 2000 Merkblatt WO
- FIRE SAFE CERTIFICATE
- TA-LUFT/VDI 2440
- ATEX 94/9/EC
- IEC EN 61508:2010 (SIL 3)



fh@fht-intec.com  
Telf: +34 944 980 513  
Fax: +34 944 980 167