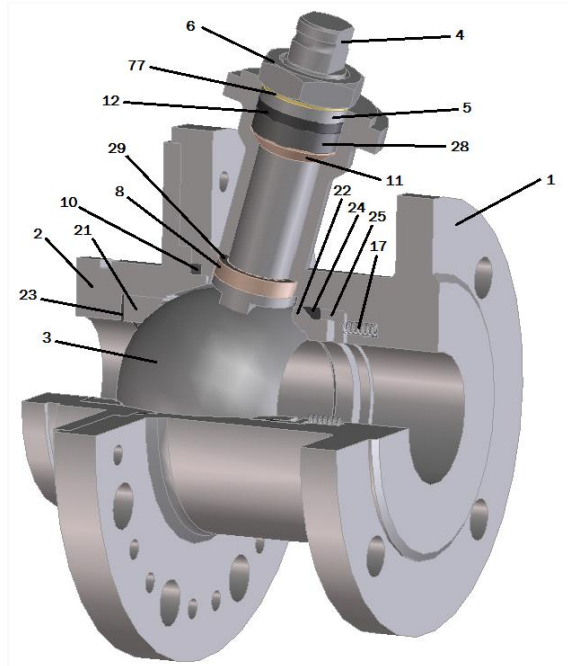


POS	COMPONENTS	MATERIAL
1	Body	1.4408
2	Body End	1.4408/1.4404
3	Ball	1.4404+Chr.Car.
4	Stem	1.4404
5	Gland follower	1.4404
6	Nut	A2-70
8	Stem seal	GRAPHITE
10	Body seal	GRAPHITE
11	Packing	RPTFE
12	Fire safe seal	GRAPHITE
13	Screw	A2-70
17	Spring	1.4401
21	Metal seat A	1.4404+COL.
22	Metal seat B	1.4404+COL.
23	Seat seal A	GRAPHITE
24	Seat seal B	GRAPHITE
25	Guide ring	1.4404
28	Inner packing	GRAPHITE
29	Inner stem seal	GRAPHITE
37	Stem spring	1.4404
38	Stem ball	1.4404
77	Fire safe plate	PEEK



DIMENSIONS

DN	Flange to Tank	PN	L	D	d1xf	b	z x l	K	N	G1	F1	E1	z1x11	H1	d2	SW	H3	H4	H5	ISO	
25	50	16	120*	115	68x2	18	4x14	85	35	69	125	165	4x18	118.5	18	14	26.5	14	2	F05	
50	80		149	165	102x3	18	4x18	125	35	94	160	200	8x18	118.5	22	17	32.5	17	3	F07	
80	100		162	200	138x3	20	8x18	160	35	129	180	220	8x18	144.5	26	19	37.5	19		F10	
100	150		180	220	158x3	20	8x18	180	40	179	240	285	8x22	174							
150	200		240*	285	212x3	22	8x22	240	40	233	295	340	12x22	206	33	24	42.5	24			F12
150	250		240*	285	212x3	22	8x22	240	50	278	355	405	12x26								

* Face to face no Standard

- Other materials and special alloys upon request.

- Ancillary equipment such as stem extensions, actuators, etc., can be field mounted at any time.

Main features

- BIDIRECTIONAL.
- SPLIT BODY.
- FULL BORE.
- FLOATING BALL.
- METAL SEAT.
- ANTI BLOW OUT STEM.
- ANTI STATIC DEVICE.
- AUTOMATIC PRESSURE CAVITY RELIEF
- DOUBLE SELF ADJUSTING PACKING

Standards

- TOP FLANGE ISO 5211
- FACE TO FACE EN 558, GR.13
- FLANGES EN 1092-1
- FLANGES ANSI B16.5
- TANK CONNECTION ACC. DIN 28140-1

Official approvals

- ISO 9001:2015
- ISO 15848-1
- API 6D
- PED 2014/68/EU
- AD 2000 Merkblatt W0
- FIRE SAFE
- TA-LUFT/VDI 2440
- ATEX 94/9/EC
- IEC EN 61508:2010 (SIL 3)

